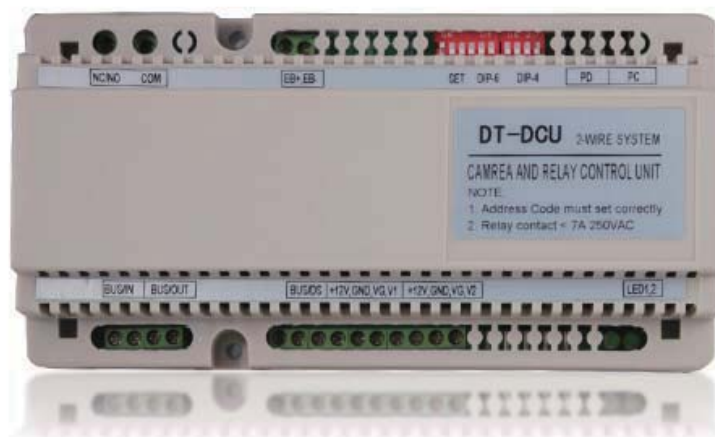


# Product Information

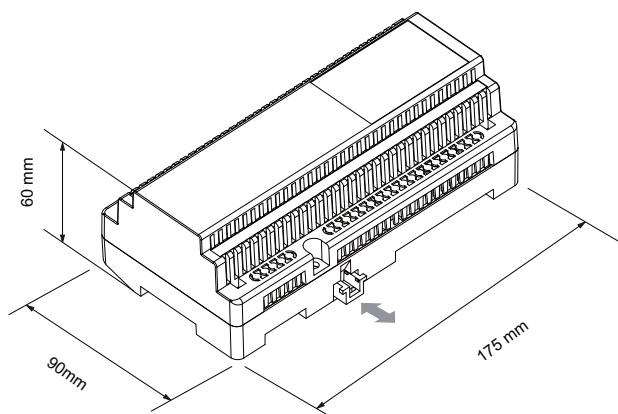
DT Accessories  
DT-DCU



## DESCRIPTION

2- wire system CCTV Control Unit

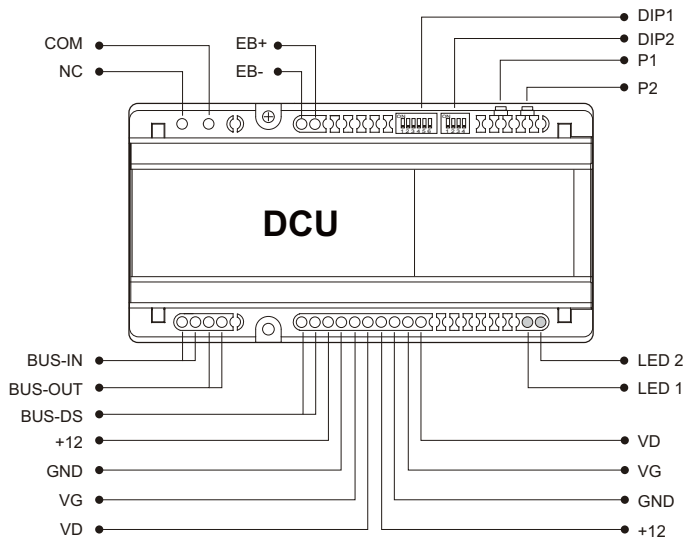
## DIMENSION



## FEATURES

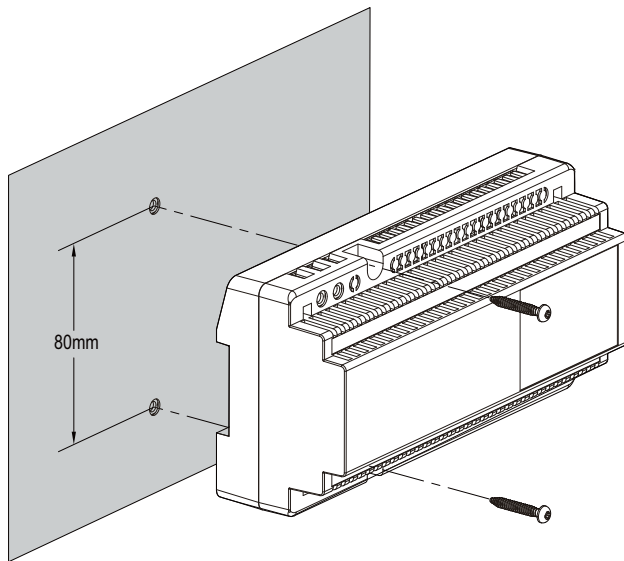
- ▶ Supply power to the Camera directly.
- ▶ Two different lock control mode: Normally Closed Mode and Normally Open Mode.
- ▶ Two different light control mode: Delay Mode and Trigger Mode, and light-on-by-calling function is available.
- ▶ Unlock time or Light delay time set be DIP switches.
- ▶ Can be cascaded up to 3 units to control up to 6 Cameras.
- ▶ 4 DIN modules

## 1. Parts and Functions

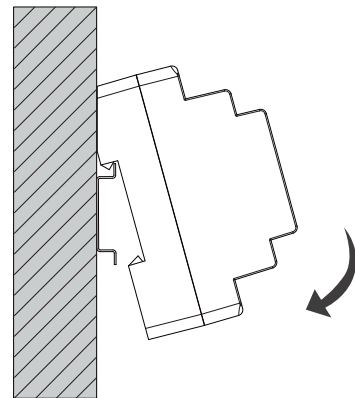


- **COM**: Contact relay Common terminal
- **NC**: Contact relay Common terminal
- **EB+, EB-**: Contact activate button
- **DIP1**: Main DIP switches
- **DIP2**: Switches for Lock/Light control
- **P1, P2**: Contact relay Common terminal
- **BUS-IN**: Connect to Door Station
- **BUS-OUT**: Connect to Monitors
- **BUS-DS**: Connect to Door Station
- **LED1, LED2**: Indecators
- **+12**: Power+ for CCTV camera
- **GND**: Power- for CCTV camera
- **VG**: Video Ground for CCTV camera
- **VD**: Video Core for CCTV camera

## 2. Unit Mounting



Direct Wall Mounting



DIN Rail Mounting

## 3. Specification

- \* Power supply: DC24V
- \* Power Consumption: Standby 45mA, Working status 92mA;
- \* Input Frequency: 47~63 Hz
- \* Temperature: -10<sup>0</sup>C~+40<sup>0</sup>C;
- \* Dimension: 60(H)×175(W)×90(D)mm

#### 4. Ordering Information

Model No.	Brief Description	Remark
DT-DCU	CCTV control unit	For analogue CCTV camera control

#### 5. Packing Information



Dimensions: 200(H) X100(W) X60(D) mm  
Gross Weight: 0.28Kg

Carton: 415(H) X360(W) X265(D) mm  
Quantity: 28PCS