

# Product Information

---

**DT Accessories**  
**DT-DBC4**

---

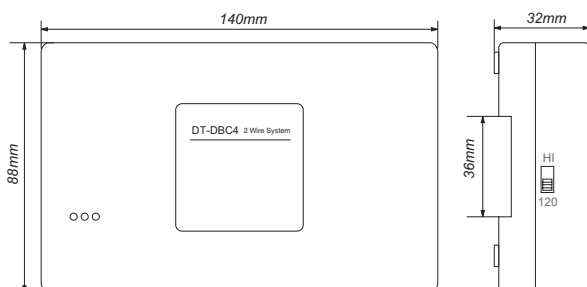


---

## DESCRIPTION

2-wire system branch controller with four outputs

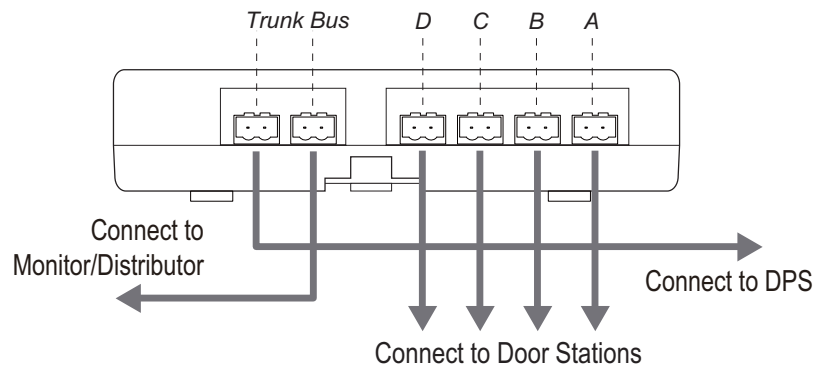
## DIMENSION



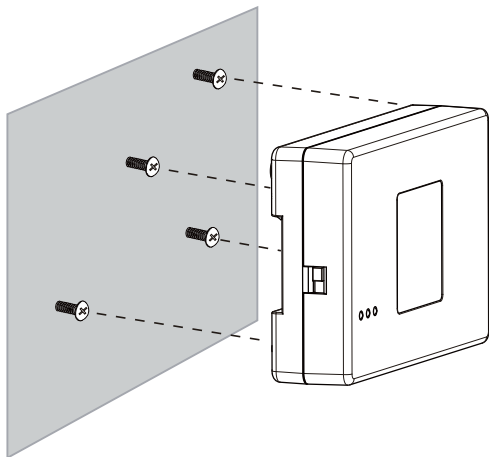
## FEATURES

- ▶ Branch controller for 4 apartments and serve as floor distributor;
  - ▶ For multi door stations input(max.4)
  - ▶ 8 DIN modules
-

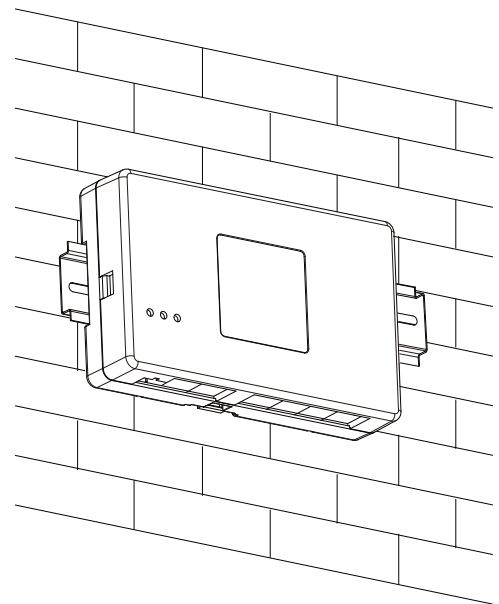
## 1. Parts and Functions



## 2. Unit Mounting



Direct Wall Mounting



DIN Rail Mounting

## 3. Specification

- \* Power Supply : DC24V
- \* Temperature:  $-10^{\circ}\text{C}\sim+40^{\circ}\text{C}$ ;
- \* Wiring: 2 wires (non-polarity);
- \* Dimension: 88(H) $\times$ 140(W) $\times$ 32(D)mm

#### 4. Ordering Information

Model No.	Brief Description	Remark
DT-DBC4	branch controller with four outputs	

#### 5. Packing Information



Dimensions: 123(H)X160(W)X35(D)mm  
Gross Weight: 0.30Kg



Carton: 530 (H)×340 (W)×258 (D)mm  
Quantity: 58PCS