

Product Information

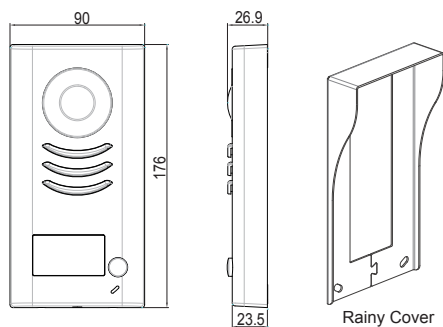
DT591&592 Series 2-Wire Outdoor Station



DESCRIPTION

2-wire system color outdoor station with rainy cover

DIMENSION

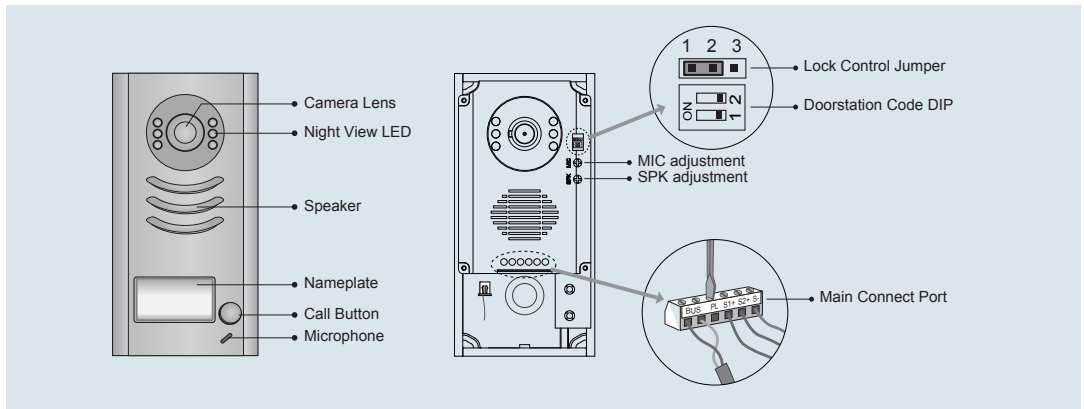


FEATURES

- ▶ Zinc alloy material design;
- ▶ Color CCD Camera with high resolution;
- ▶ Camera's angle is adjustable;
- ▶ Large name plate display;
- ▶ One or two call button for choice;
- ▶ High white led for high view;
- ▶ IP45 protection rate;
- ▶ Rainy cover for surface mounting;
- ▶ Compatible with all DT two wire system models

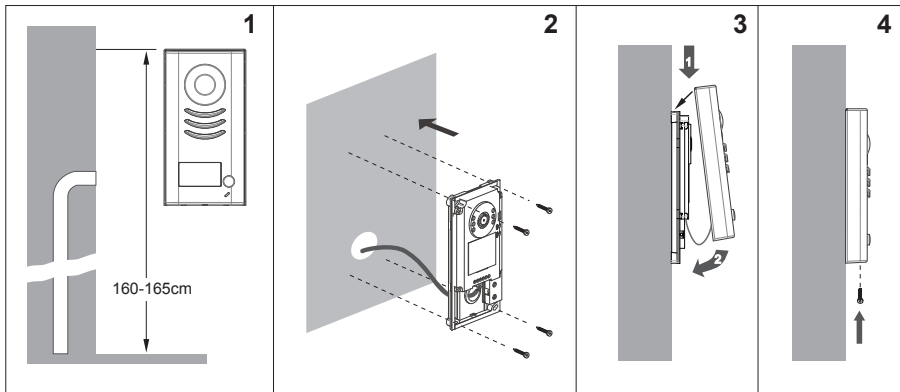
Note:DT592 has two call buttons

1. Parts and Functions

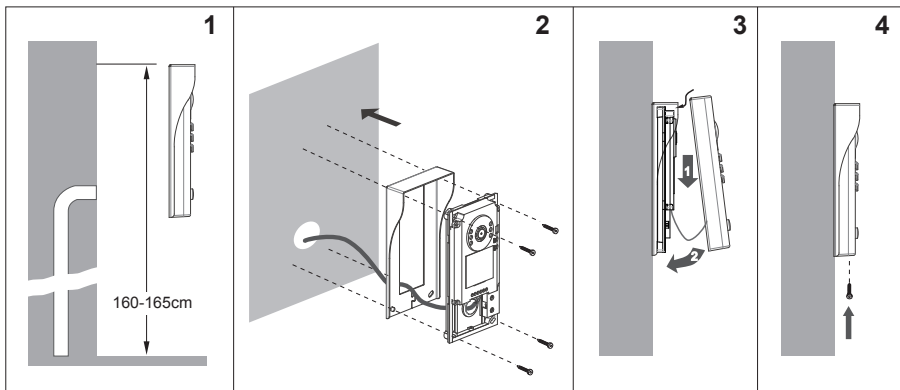


2. Door Station Mounting

Mounting without rainy cover



Mounting with rainy cover



3. Specification

- * Power Supply : DC 24V (supplied by PS4-24V or PS5-24V);
- * Power Consumption: Standby 50mA; Working status 200mA;
- * Camera: Pinhole Sharp Color CCD; 420 TV Lines;
- * Unlocking time: 1-9S, set by monitor;
- * Talk Time: 90S;
- * Lock Power supply: 12Vdc, 300mA(Internal Power);
- * Temperature: -10°C~+45°C;
- * Wiring: 2 wires (non-polarity);
- * Dimension: 176(H)×90(W)×24(D)mm

4. Ordering Information for Door Station

Model No.	Brief Description	Remark
DT591/C/RH	Color CCD outdoor station with rain cover	NSTC,PAL must be specified
DT592/C/RH	Color CCD outdoor station with rain cover	NSTC, PAL must be specified

5. Packing Information



Dimensions: 202(H)×100(W)×60(D)mm
Gross Weight: 0.75Kg



Carton: 415 (H)×360 (W)×265 (D)mm
Quantity: 28PCS